

Test Report

for BEIDOU 1 AVIATION ANTENNA



Model: HXAT000BAAV40A

Chengdu HAIKIN MICROWAVE Technology Co., Ltd

Add: Chengdu 610091, China

Tel: +86-28-87089208

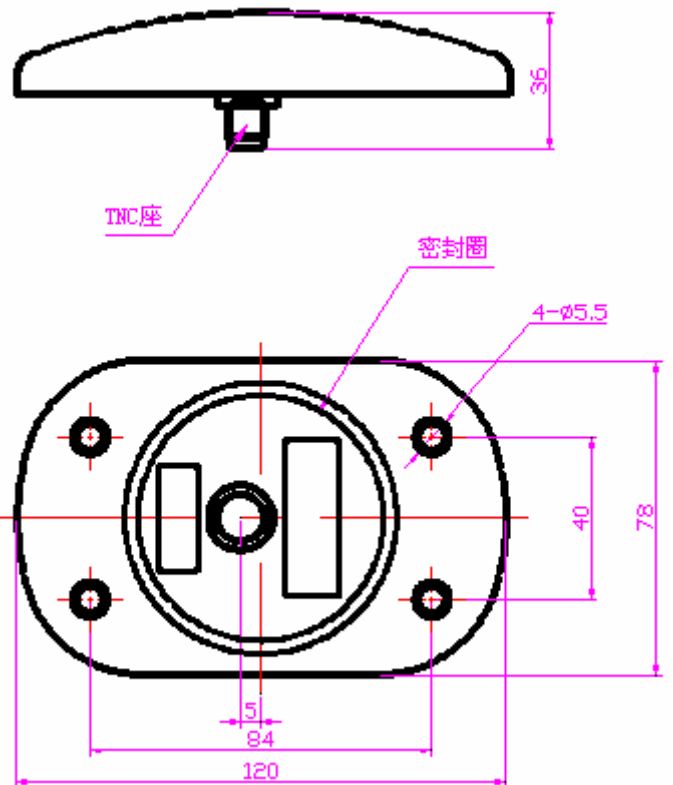
Website: www.hxmicrowave.com

Fax: +86-28-87089208

Email: sale@hxmicrowave.com

Specification

1. Frequency: DB1 L1:2491.75MHz±4MHz
2. Pattern:
 - Azimuth: Omnidirectional
 - Elevation: Hemispherical
3. LNA Gain: 39dB±2dB
4. Polarization: Right-hand circular
5. AR: ≤4dB
6. Noise: ≤2dB
7. Impedance : 50 Ω
8. VSWR : ≤2:1
9. Power requirements: Voltage: 5~12VDC
Current: ≤40mA
10. Connector: TNC female
11. Operating Temperature : -40℃~+85℃
12. Store Temperature : -55℃~+85℃
13. Weight: ≈ 200 g
14. Size: 120mm×78mm×36mm



Test Instruments

Agilent 83630B
HP8563E
HP8720D

Test Results

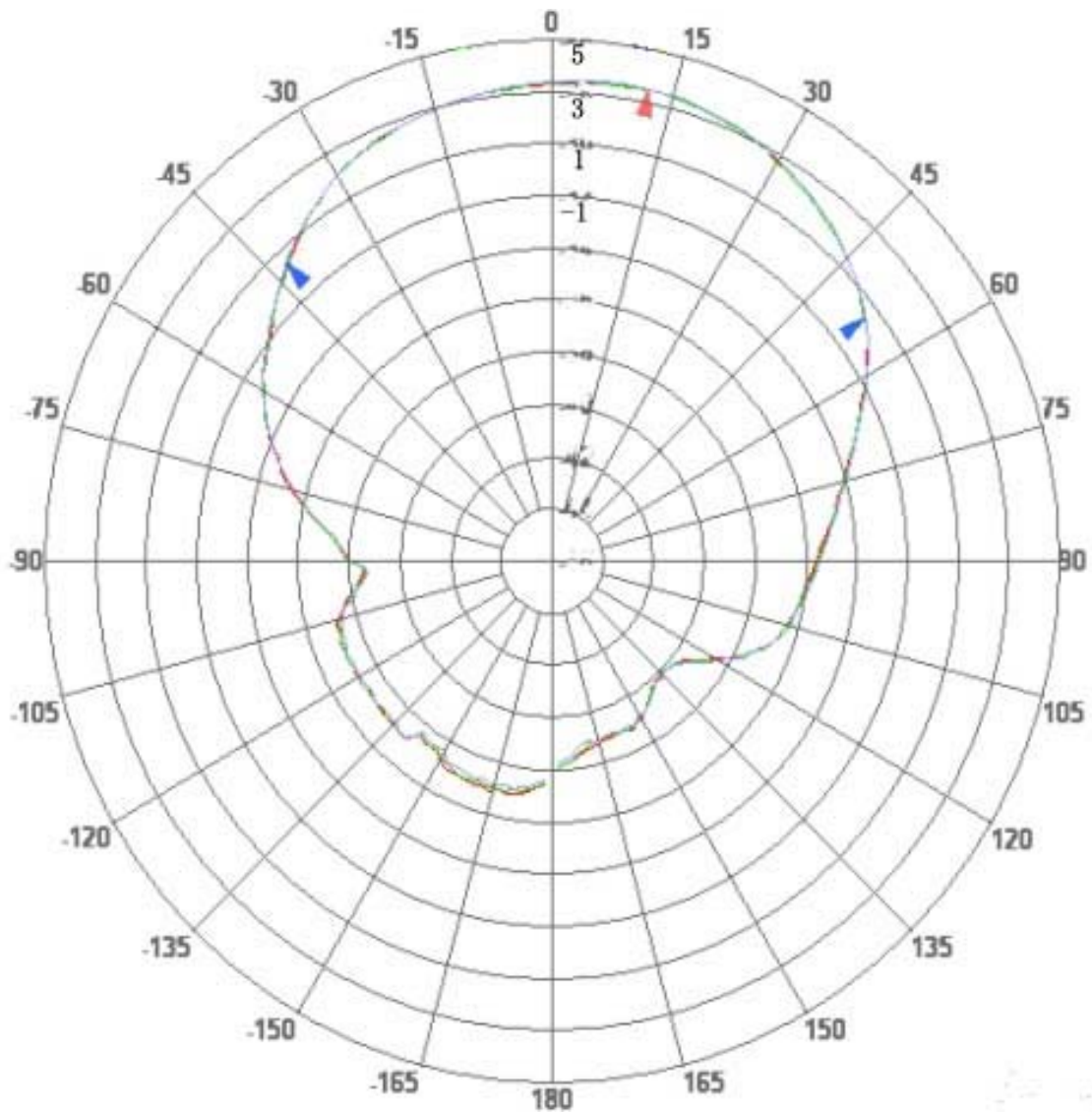
1. Gain



Frequency (GHz)	Gain (dBic)
2.492	42

2. Pattern

2492MHz



Chengdu HAXIN MICROWAVE Technology Co., Ltd

Add: Chengdu 610091, China

Tel: +86-28-87089208

Website: www.hxmicrowave.com

Fax: +86-28-87089208

Email: sale@hxmicrowave.com